

**Not more heavy Not more difficult**  
**Not more dangerous**



### High Quality Portable X-Ray Digital Camera

- One device can easily serve 3-4 operatories, thus saving you money
- No special accommodations required
- X-ray goes to the patient's location
- Conveniently transportable anywhere: office, surgery suites, humanitarian work  
Easily take an x-ray anytime during procedures
- No cumbersome stands or cables
- Cordless, rechargeable batteries. More than 250 exposures per charge
- Lightweight, highly convenient. No motion artifacts; blur-free radiographs

**This is the best provide diagnostic imaging.**



**EMI**  
MEDICAL EQUIPMENT  
IMAGING SPECIALISTS

REVOLUTION IN  
MEDICAL DEVICES



### Convenient

Light weight, cordless, easily transportable.  
No awkward arms to manipulate; no drift.  
No need special stands, cables remotes.  
Hundreds of diagnostic quality images from a single battery charge.

### Sharp, clear images

Works with sensors, film, phosphor plates.  
0.4 mm focal spot produces sharp, High-resolution images.

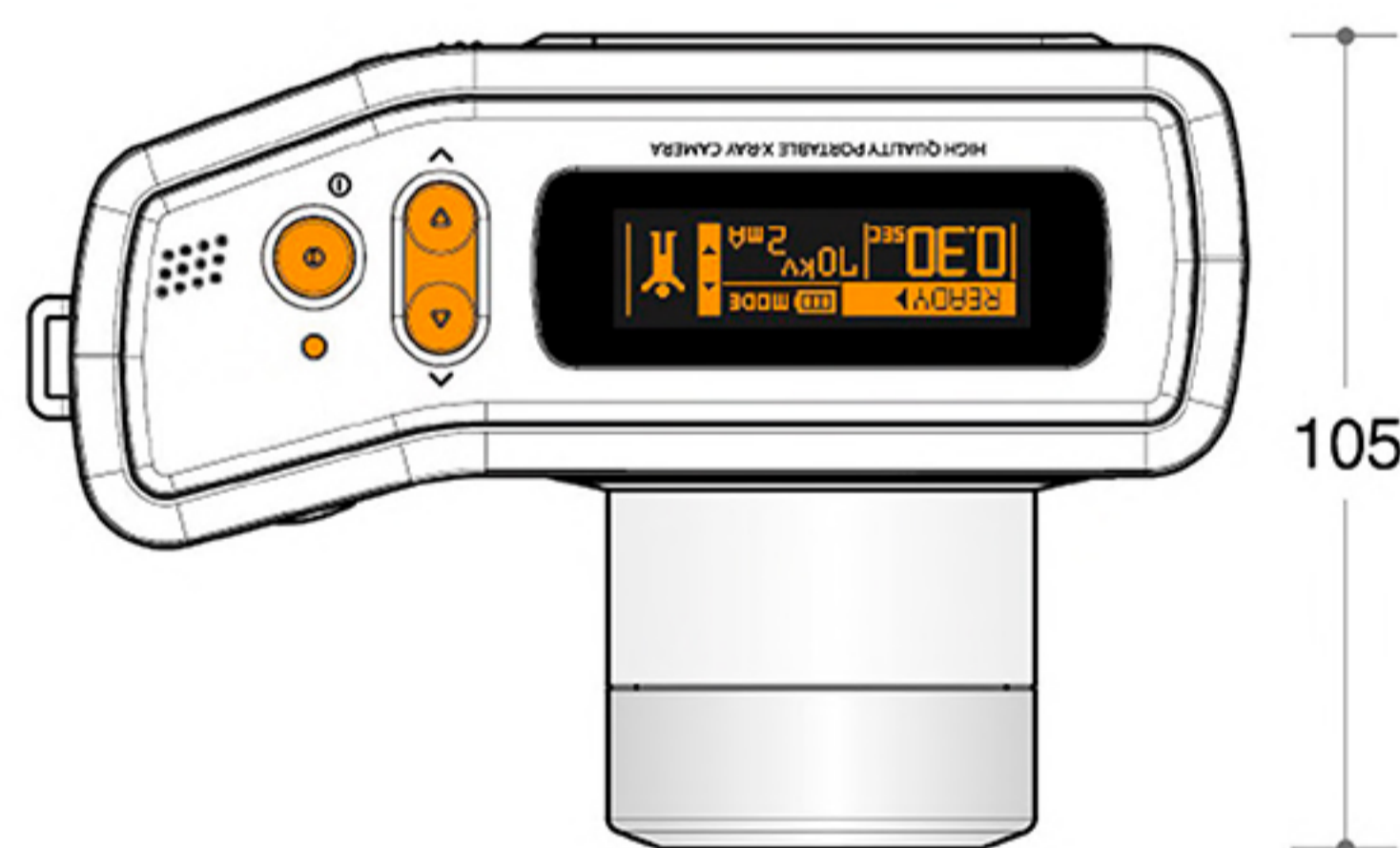
### Safety

Low patient dosage.  
Internal shielding protect the operator.  
Studies show yearly operator exposure is equivalent to or less than exposure from a typical wall-mounted X-Ray.

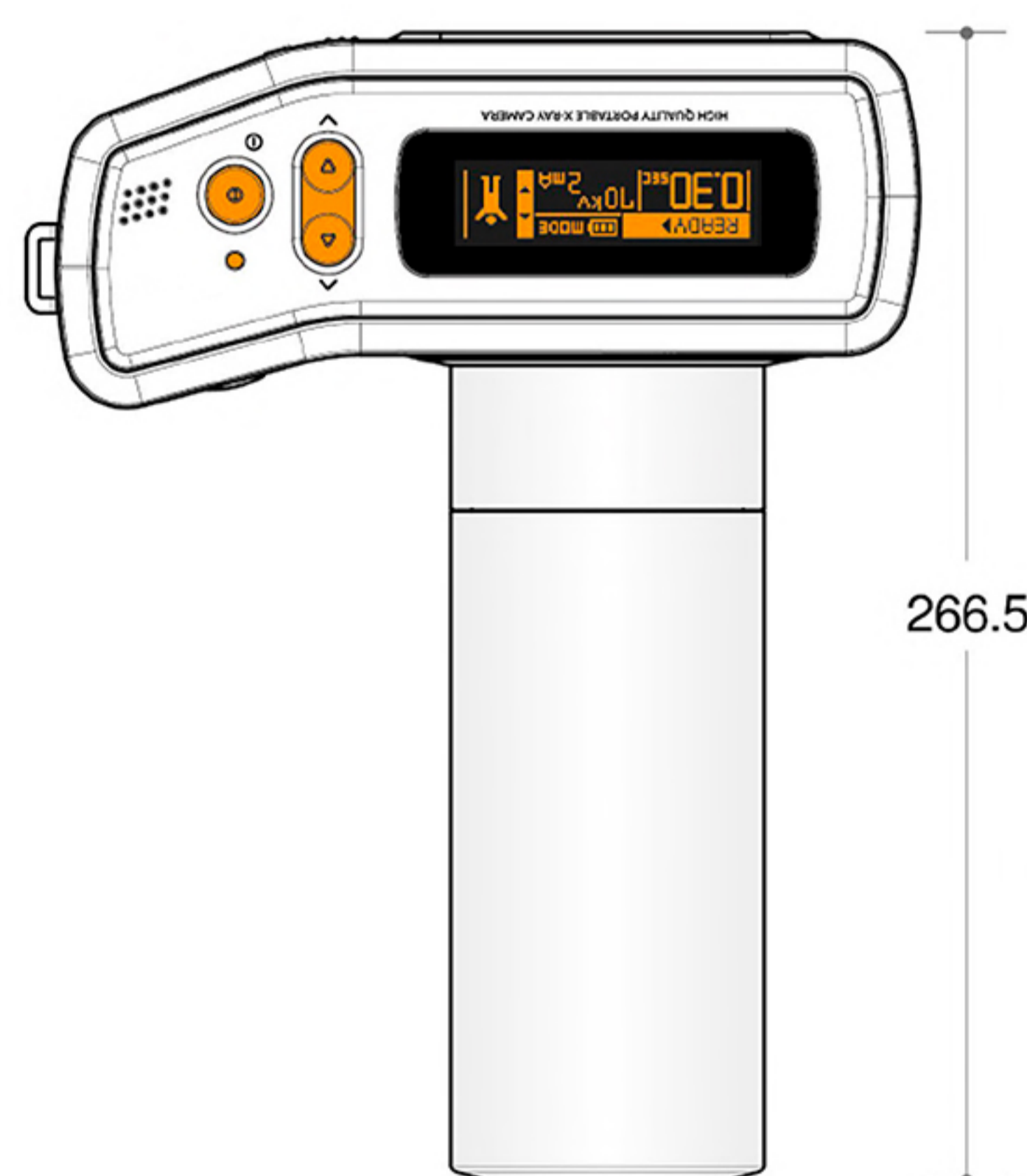
This is the best provide diagnostic imaging.  
High Quality  
Portable X-Ray Digital Camera

### DRAWING

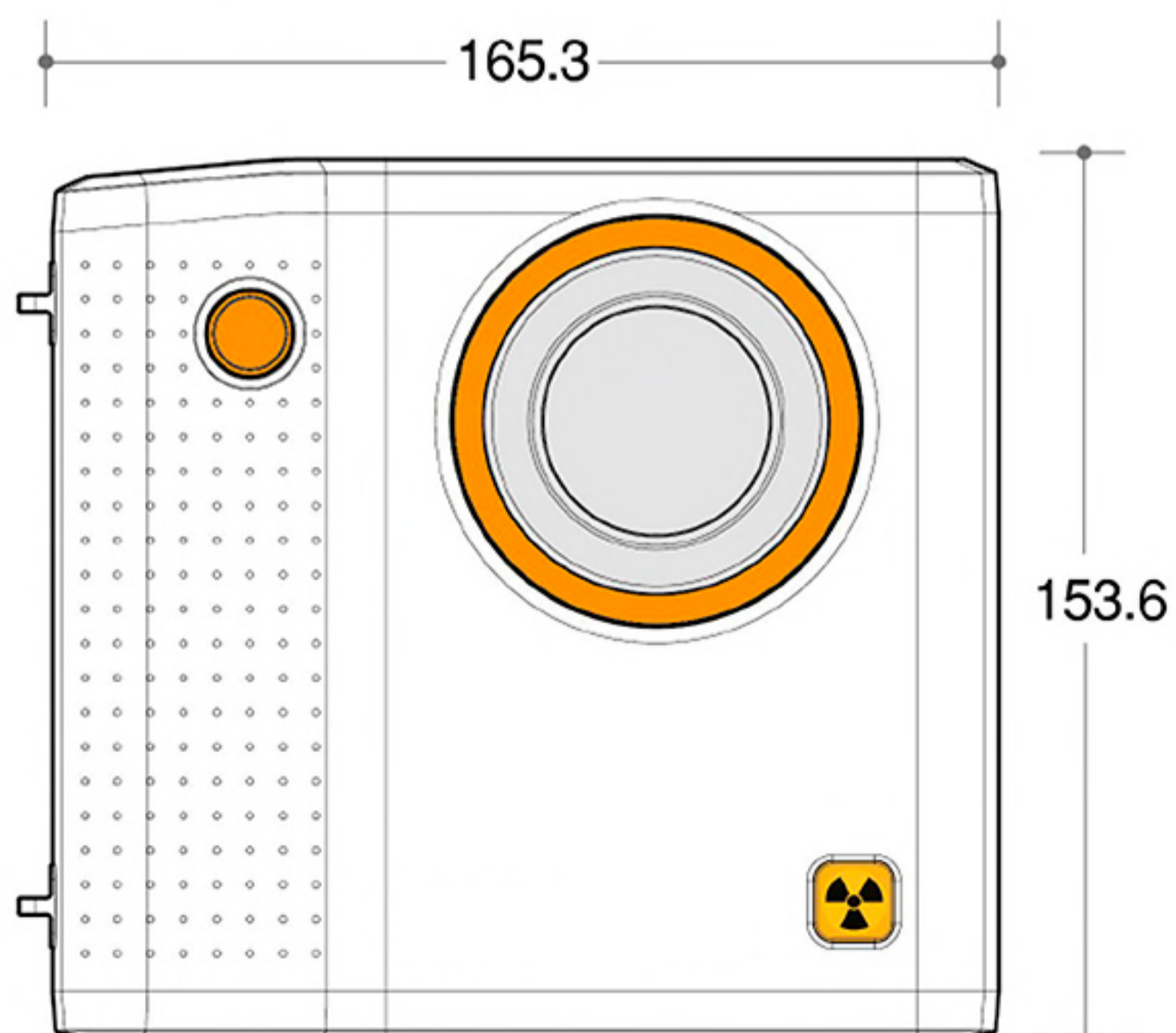
Top View  
Install Short Cone



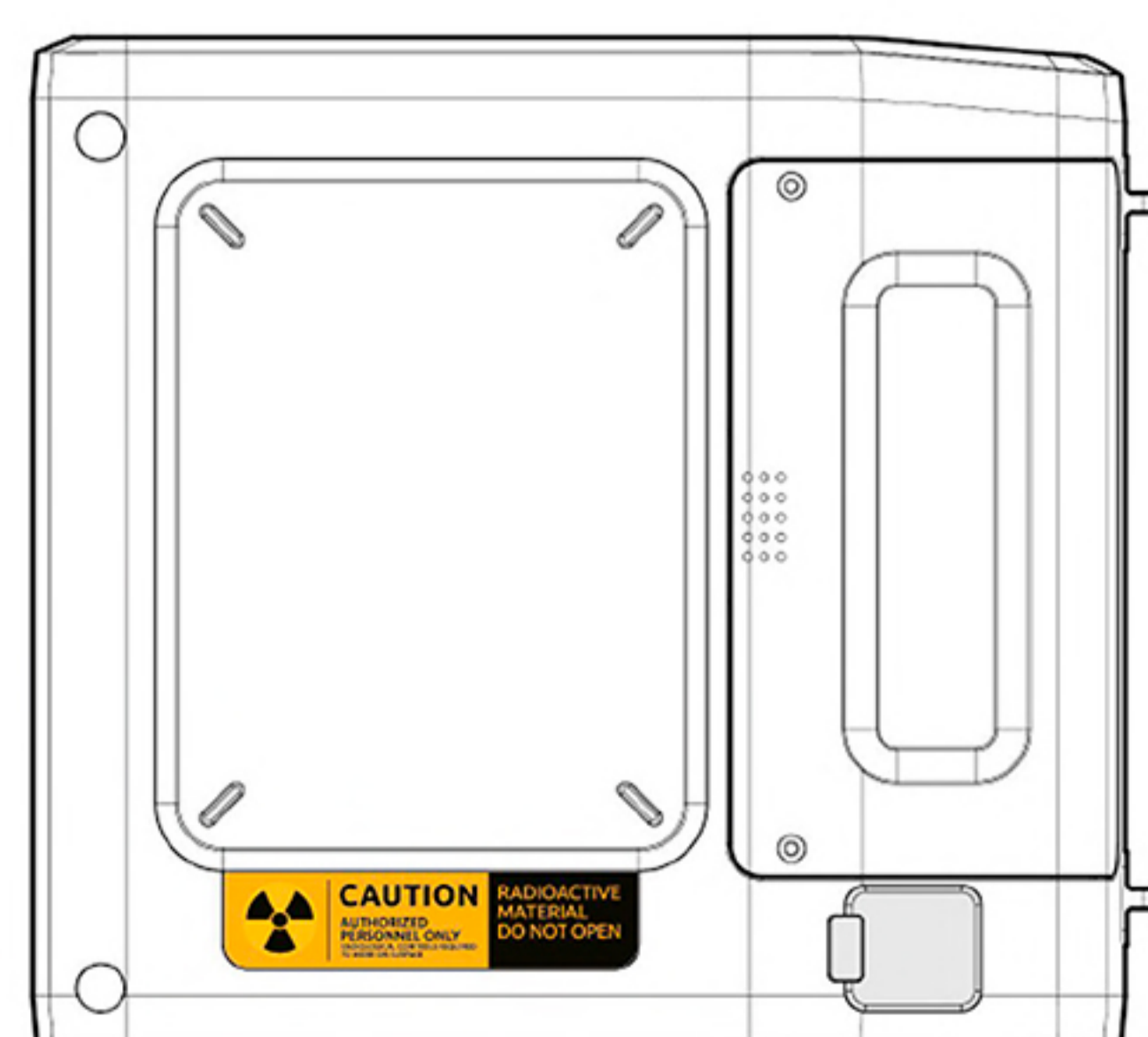
Top View  
Install Long Cone



Front View



Rear View



### SPECIFICATION

Constant Potential High-Voltage Generator

#### Electrical

X-ray Tube Voltage	70 kV
X-ray Tube Current	2 mA
Focal Spot Value	0.4 x 0.4 mm
Output Power	140 W
Exposure Time	0.01 ~ 1.3 sec

#### Mechanical

Anode Angle	12.5 degrees
Inherent Filtration	At least 1.5 mmAl
X-ray Coverage	Ø60 mm at SID 233 mm

#### Dimension

165.3 x 105~266.5 x 153.6 [WxDxH]
-----------------------------------

#### Weight

About 1.7 kg
--------------

#### Power requirement

#### Rechargeable Battery

DC 11.1 V, 1500mAh
--------------------

#### Charger

Input 100~240 VAC, 50~60Hz, 0.5A
Output 12.6Vdc, 1500mAh



MRI - CT - X-RAY - DR - DENTAL - VETERINARY  
NDT - PARTS - TECHNICAL SERVICE

info@emimedequip.com - +1-305-725-8635 - www.emimedequip.com