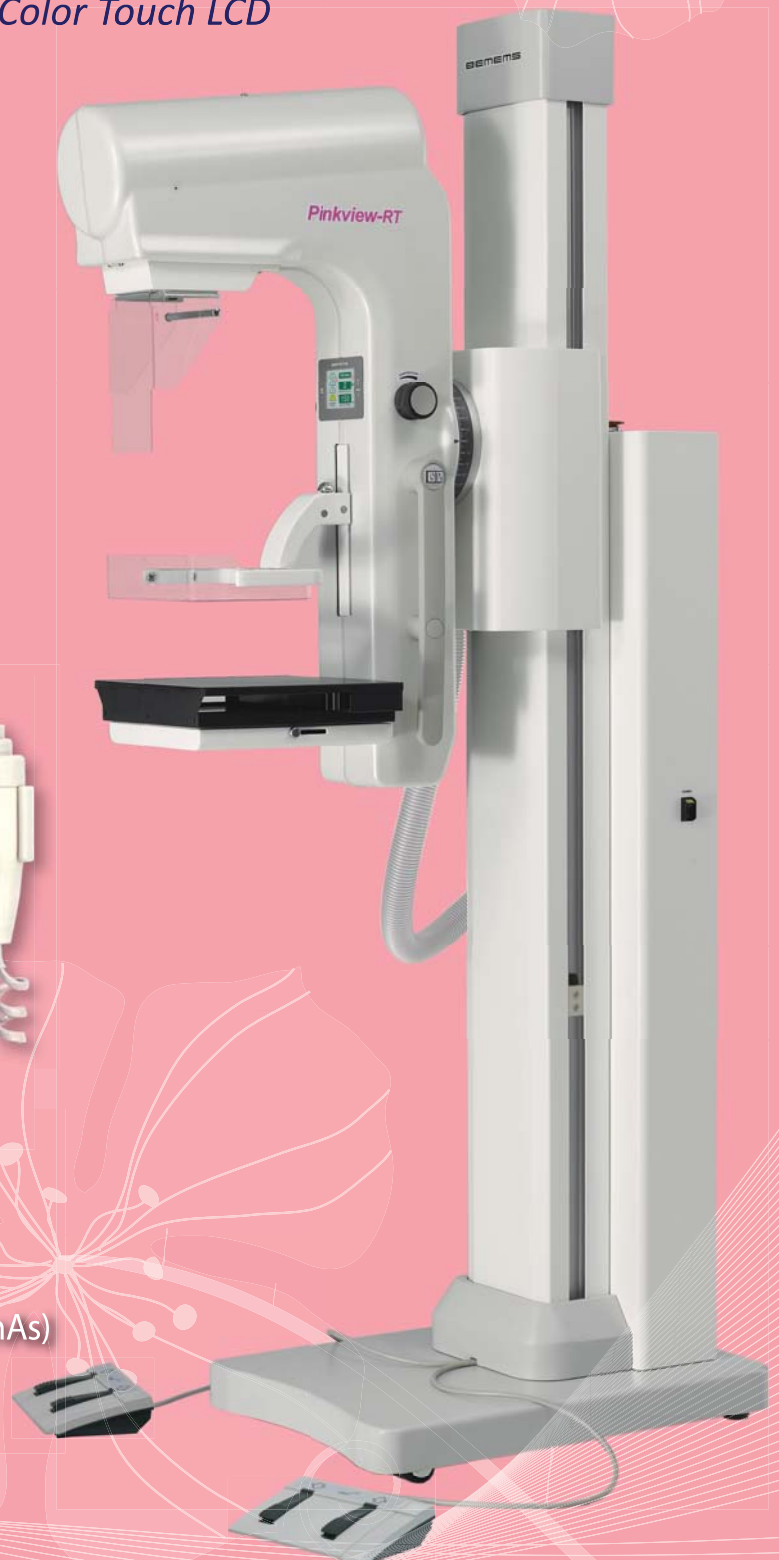
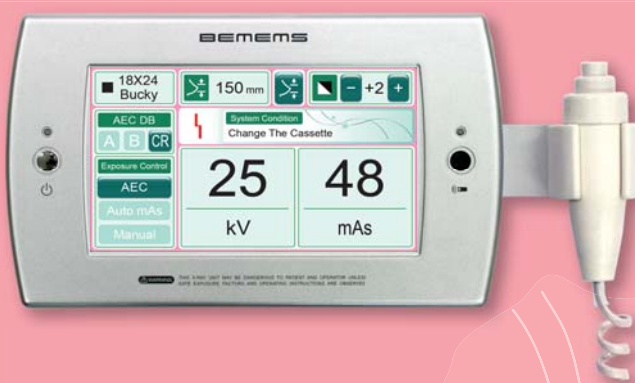


*Simple!*

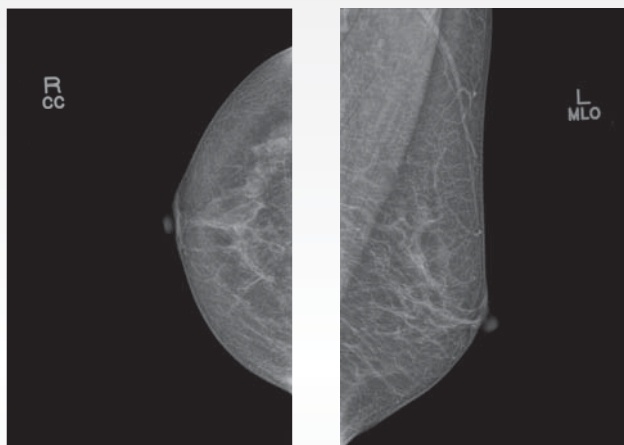
Mammography system

# *Pinkview-RT*

*Convenient Installation with All-in-one type product  
Wide and Easy operation with Full Color Touch LCD*



Built Generator in Slim body  
Source to Image Distance 660 mm  
7 inch Touch LCD Operation Panel  
High Frequency Inverter System  
Automatic Exposure Control (Auto kV & mAs)  
Easy movement with 4 wheels  
Maximum Tube Current 100 mA@25 kV



## • Specifications

### Power Requirements

Single phase 220 VAC, 16 A, 50/60 Hz

### X-ray Generator

High Frequency Inverter Type

Large Focal Point : 20~35 kV( 1kV step) / 4~500 mAs

Small Focal Point : 20~35 kV(1 kV step) / 4~160 mAs

Max. mA Current : 100 mA@25 kV

### X-ray Tube

Target Material : Mo (Rotating Anode)

Anode Heat Capacity : 300,000 HU

Focal Spot : Small 0.1 mm / Large 0.3 mm

Additional Filtration : 0.03 mm Mo

### C-arm

Electromagnetic Lock for Rotation

Rotation Degrees : Right 150° ~ Left 180°

Source to Image Distance : 660 mm

Vertical Movement : 810 mm (550~1360 mm)

Tissue Compression : Manual and Motorized ( 8 step Max. 160 N)

Internal Collimator Plate : Selectable 18 X 24 / 24 X 30 cm

### Cassette Image Receptor

Bucky Device : 18 X 24 cm

AEC Sensing : Displaying 4 Positions on Positioning Condition Panel

Cassette Sensing : Infrared Photo Sensor

Grid Ratio 4:1, 36 Lines/cm

### Automatic Exposure Control

AEC Mode : AEC, Auto mAs, Manual

15 Density Adjustment steps (7% per 1 Step)

### Options

18 X 24 cm / 24 X 30 cm Film cassette

24 X 30 cm Bucky Device & Compression Paddle

Magnification Device x1.8

### BEMEMS Co., Ltd.

(Rm 709 710 711, Hoseodae Venture Tower Gasan-dong)

70, Gasan Digital 1-ro, Geumcheon-gu, Seoul, Korea

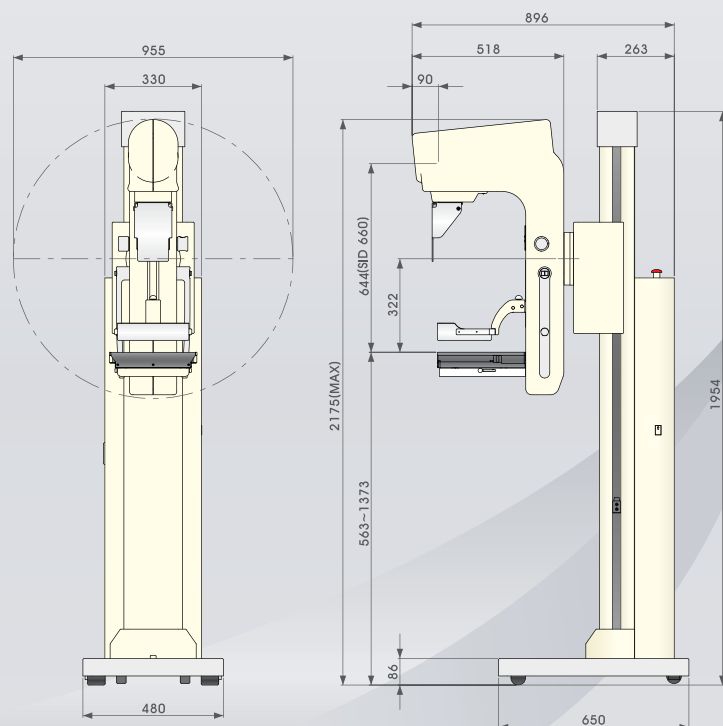
Tel : +82-2-2627-5662 Fax : +82-2-2627-5665 E-mail : sales@bemems.com

## • Accessories & Options



- 18X24 Bucky Device
- 18X24 Standard Paddle
- 18X24, 24X30 Spot Paddle
- 24X30 Bucky Device
- 24X30 Standard Paddle
- 18X24 Biopsy Paddle
- 1.8X Magnification Device
- 1.8X Magnification Standard Paddle
- 1.8X Magnification Spot Paddle

## • Dimensions



Unit = mm