

Digital!

Mammography system

Pinkview-DR PLUS

*Optimized digital mammography for breast cancer screening
Easy and convenient software operation system*



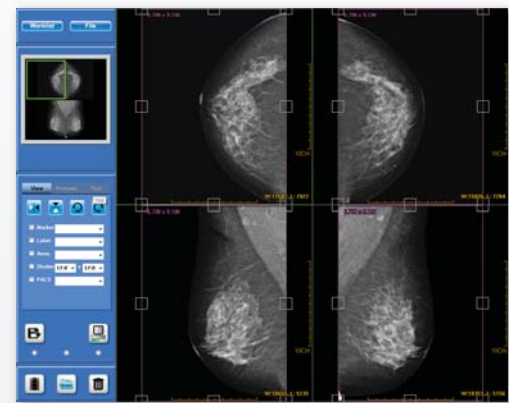
*High-tech digital image acquisition system
Truly gorgeous and luxurious design
Harmonizing with luxurious hospital interior with modern style
Completed compatibility for DICOM3.0
Compression control by international regulation
Comfortable MICOM compression with load cell
SID 660 mm for high sharpness image
Easy detachable magnification device*



Pinkview-DR PLUS



Synchronizing operation and display all parameters at PC and Main OP



Convenient local saving and completed compatible system with PACS

• Specifications

X-ray Generator

High Frequency Inverter Type
 Large Focal Point : 20~39 kV (1kV step) / 1~720 mAs
 Small Focal Point : 20~39 kV (1kV step) / 1~350 mAs
 Max. mA Current : 100 mA @ 28 kV

X-ray Tube

Target Material : W (Tungsten Rotating Anode)
 Anode Heat Capacity : 300,000 HU
 Focal spot : Small 0.1 mm / Large 0.3 mm
 Additional Filtration : 0.05 mm Rh

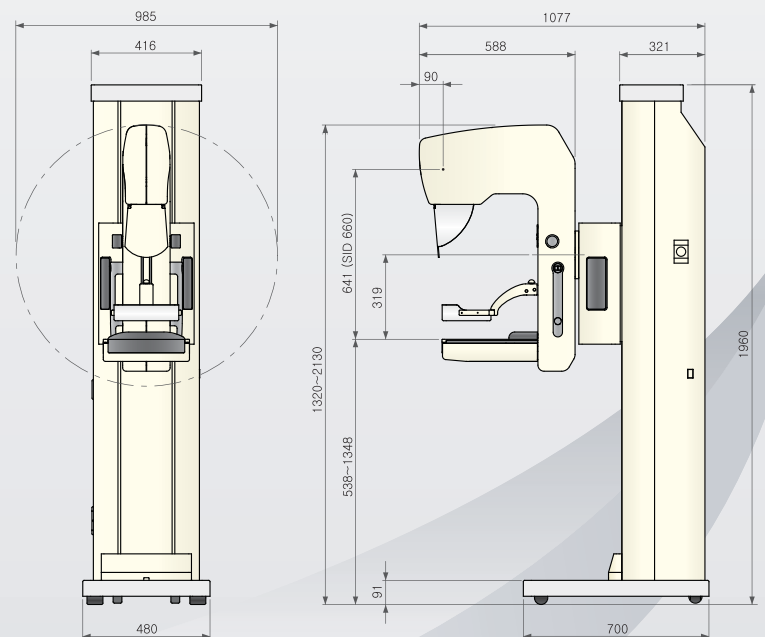
Image Receptor

Digital Detector : CMOS or TFT array
 Moving Bucky Device : 18x24 or 24x30cm
 Grid Ratio 4 : 1, 36 Lines / cm
 Magnification Device : x1.8

Automatic Exposure Control

Mode : AEC, Auto mAs, Manual
 Operation of AEC : Pre-exposure Analysis

• Dimensions



BEMEMS Co., Ltd.

(Rm 709 710 711, Hoseodae Venture Tower Gasan-dong)
 70, Gasan Digital 1-ro, Geumcheon-gu, Seoul, Korea

Tel: +82-2-2627-5662 Fax: +82-2-2627-5665 E-mail: sales@bemems.com

Distributor:



EMI AMERICA MIAMI
 +1-305-725-8635
 emi@emimedequip.co

Unit = mm