

Digital!
Digital Mammography System

Pinkview-DR Prime

76 μm

Good Choice for Breast Cancer Screening

High image quality with the mammography-purpose Detector
Suitable & Excellent Digital Images for Breast Cancer Screening





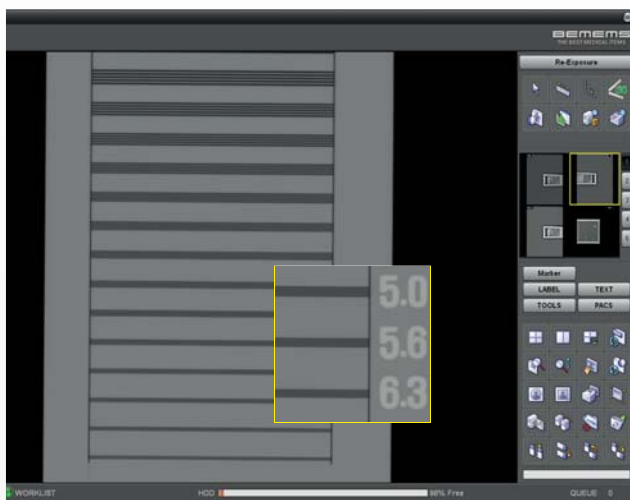
Pinkview-DR Prime

Indirect Type Digital Detector

Indirect Type Digital Detector (Amorphous Silicon/a-Si) reliably acquires excellent and stable digital images. Indirect detector with the up-to-date technique supports 30% higher speed in obtaining images than the conventional one.

BEMEMS's Digital Software

- Providing the comfortable exposure environments
- Convenient Image Management
- Perfect compatibility with DICOM for PACS



76 μm

The Smallest Pixel Size

Detection of micro-calcification is important for Breast Cancer Screening. Micro-calcifications can be easily found by using the detector of small pixel size like 76 μm . The pixel size of 76 μm displays the exceptional image quality, high DQE and low-noise performance.

Specifications

X-ray Generator

High Frequency Inverter Type
 Large Focal Point : 20~35 kV (1kV step) / 1~720 mAs
 Small Focal Point : 20~35 kV (1kV step) / 1~200 mAs
 Max. mA Current : 100 mA @ 25 kV

X-ray Tube

Target Material : Mo (Molybdenum Rotating Anode)
 Anode Heat Capacity : 300,000 HU
 Focal spot : Small 0.1 mm / Large 0.3 mm
 Additional Filtration : 0.03 mm Mo

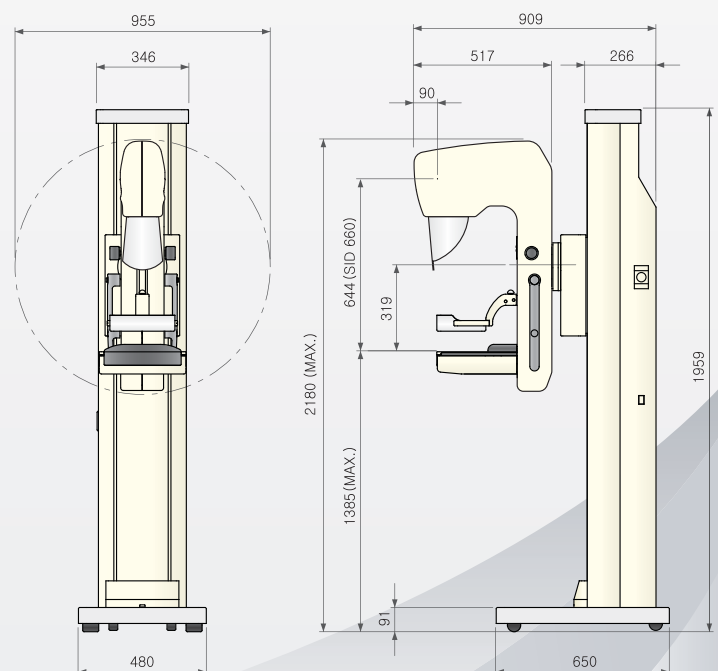
Image Receptor

Digital Detector : a-Si / TFT array
 Moving Bucky Device : 18x24cm
 Grid Ratio 4 : 1, 36 Lines / cm
 Magnification Device : x1.8

Automatic Exposure Control

Mode : AEC, Auto mAs, Manual
 Operation of AEC : Pre-exposure Analysis

Dimensions



BEMEMS Co., Ltd.

(Rm 709 710 711, Hoseodae Venture Tower Gasan-dong),
 70, Gasan Digital 1-ro, Geumcheon-gu, Seoul, Korea

Tel: +82-2-2627-5662 Fax: +82-2-2627-5665 E-mail: sales@bemems.com

Distributor:



Unit = mm

EMI AMERICA MIAMI

+1-305-725-8635

emi@emimedequip.co